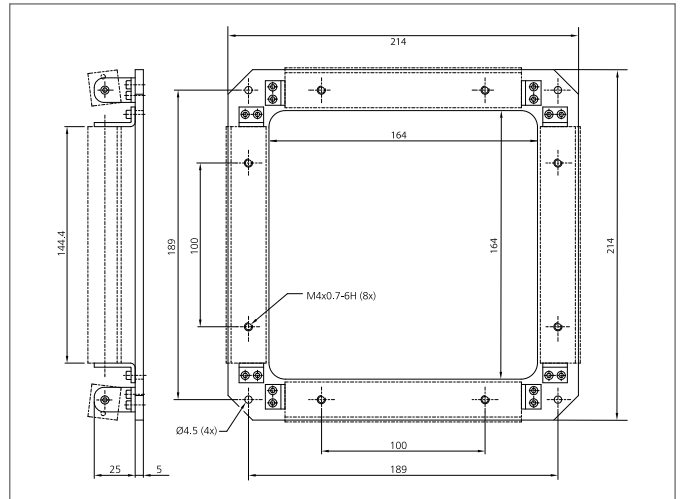
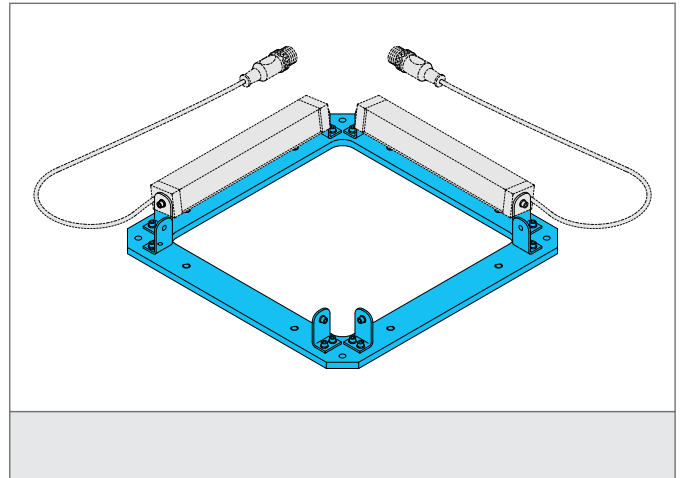


# BE 1-A130-Frameset Mounting Frame

- For up to four bar lights BE1-A 130 ...
- Smooth adjustment
- Robust design
- Robust metal casing



## TECHNICAL INFORMATION (typ.)

Casing material

**+20°C, 24V DC**

Aluminium black anodized

